



Infinity Series H.110 MC3 Multi-chassis Interconnect & Conference Board

TECHNICAL MANUAL

Documentation Revision 0.3: February 8, 2001

Copyright © 2000, 2001
by American Tel-A-Systems, Inc.
All rights reserved.
258M000A

This page left intentionally blank

Contents

1.0	INTRODUCTION	1-1
1.1	Features and Capabilities	1-2
1.1.1	The H.110 Bus	1-2
1.1.2	The MC3 Bus Interface	1-3
1.1.3	Conferencing	1-4
1.1.4	DSP Functions	1-4
1.1.5	Analog Audio Port	1-4
1.1.6	Clock Modes	1-5
1.1.7	Hot Swap Capability	1-5
1.1.8	Message Passing	1-5
1.1.9	Flash EAROM for Firmware	1-6
1.2	How to Use This Manual	1-6
2.0	QUICK START	2-1
3.0	INSTALLATION	3-1
3.1	PCI Configuration	3-1
3.2	Jumpers & Headers	3-2
3.3	Connectors: P5, P6 and J1	3-3
3.4	Installation	3-3
3.5	Hot Swapping a Board	3-4
4.0	INITIALIZATION	4-1
4.1	PCI Initialization	4-1
4.2	Initialization Commands	4-2
5.0	COMMUNICATING WITH THE HOST	5-1
5.1	Command and Response Protocol	5-2
5.1.1	Sending Commands to the Board	5-2
5.1.2	Reading Messages From the Board	5-2
5.1.3	Reading Board Information	5-3

5.0	COMMUNICATING WITH THE PC (CONTINUED):	
5.2	Interrupts	5-3
5.2.1	Interrupt Initialization	5-4
5.2.2	Step-by-Step Summary	5-4
5.3	Commands and Responses	5-5
5.3.1	Characteristics of Command Strings	5-5
5.3.2	Command Parameters	5-5
5.3.3	Commands to the H.110 MC3/Conference Board	5-6
	< Conference Commands	5-6
	< MC3 Bus Commands	5-7
	< Analog Port Control	5-7
	< MVIP Compatibility Commands	5-8
	< Interrupt Control Commands	5-8
	< Reset Commands	5-8
	< Setup Commands	5-8
	< Version Requests	5-9
	< Download Commands	5-9
	< Diagnostics	5-9
5.3.4	Responses from the H.110 MC3/Conference Board	5-10
	< Acknowledgments	5-10
	< Error Messages	5-10
	< Query Responses	5-10
	< DTMF Detection Messages	5-11
	< Diagnostic Responses	5-11
6.0	THE H.110 BUS, CLOCK MODES & MC3 BUS	6-1
6.1	The H.110 Bus	6-1
6.2	Clock Modes	6-2
6.2.1	Slave Mode	6-2
6.2.2	Primary Master Mode	6-3
6.2.3	Secondary Master Mode	6-4
6.2.4	Clock Fallback	6-5
6.2.5	Clock Errors	6-5
6.3	The MC3 Bus	6-6
6.3.1	MC3 Ring Errors	6-6
6.3.2	Ring Status LEDs	6-7
6.4	MC3 Ring Configurations	6-8

The H.110 MC3/Conference Board

6.0	THE H.110 BUS, CLOCK MODES & MC3 BUS (CONTINUED):	
6.5	Configuration Information	6-9
6.6	Hot Swap	6-9
7.0	USING THE MC3 BUS	7-1
7.1	Initialization	7-1
7.2	MC3 Switching Commands	7-3
7.3	Ring Errors	7-4
7.4	Ring Redundancy & Fallback	7-5
7.5	Loopback Modes	7-6
8.0	CT BUS BUS SWITCHING	8-1
8.1	The H.110 Switching Hardware	8-1
8.2	MVIP-95 Compatibility Commands	8-1
8.3	The Analog Port	8-3
9.0	CONFERENCING	9-1
9.1	The Conferencing Hardware	9-1
9.1.1	Conference Handles	9-2
9.1.2	Command Set	9-2
9.1.3	Attenuation & Noise Threshold	9-2
9.1.4	DSP Facilities	9-3
9.2	Controlling Conferences	9-4
9.3	Changing the Attenuation and Noise Threshold	9-5
9.4	DTMF Detection	9-6
9.5	Energy Detection	9-7
9.6	2 kHz. Tone Generation and Detection	9-7
9.7	Conferencing Examples	9-8
10.0	DIAGNOSTICS & ERROR MESSAGES	10-1
10.1	Diagnostic Commands	10-1
10.2	Error Messages	10-3
10.3	QM Queries	10-4

APPENDIXES:

A.	Environmental Specifications	A-1
B.	Notes on H.110 MC3 Redundancy	B-1

Infinity Series H.110 MC3 Multi-Chassis Interconnect & Conference Board Technical Manual

Copyright © American Tel-A-Systems, Inc., February 2001

Printed in U.S.A. All rights reserved.

This document and the information herein is proprietary to American Tel-A-Systems, Inc. It is provided and accepted in confidence only for use in the installation, operation, repair and maintenance of Amtelco equipment by the original owner. It also may be used for evaluation purposes if submitted with the prospect of sale of equipment.

This document is not transferable. No part of this document may be reproduced in whole or in part, by any means, including chemical, electronic, digital, xerographic, facsimile, recording, or other, without the express written permission of American Tel-A-Systems, Inc.

The following statement is in lieu of a trademark symbol with every occurrence of trademarked names: trademarked names are used in this document only in an editorial fashion, and to the benefit of the trademark owner with no intention of infringement of the trademark. "MVIP", "H-MVIP" and "MVIP-90" are registered trademarks of GO-MVIP. "SCSA" and "SCbus" are registered trademarks of the Dialogic Corporation. "CT bus" and "ECTF" are registered trademarks of the Enterprise Computer Telephony Forum

American Tel-A-System, Inc.
800-356-9148

• 4800 Curtin Drive • McFarland, WI 53558 •
• 4145 North Service Road, Suite 200 • Burlington, Ontario L7L 6A3 •
• 258M000A •

The H.110 MC3/Conference Board

FCC Part 15 Requirements

WARNING: This equipment generates, uses, and can radiate radio frequency energy and if not installed and used in accordance with the instruction manual, may cause interference to radio communications. Operation of this equipment in a residential area is likely to cause interference in which case the user at his own expense will be required to take whatever measures may be required to correct the interference.

FCC Part 68 Registration

This equipment is registered with the FCC under Part 68 as a component device for use with any generic PC Type computer or compatible. In order for FCC registration of this product to be retained, all other products used in conjunction with this product to provide your telephony function must also be FCC Part 68 registered for use with these hosts. If any of these components are not registered, then you are required to seek FCC Part 68 registration of the assembled equipment prior to connection to the telephone network. Part 68 registration specifies that you are required to maintain the approval and as such become responsible for the following:

- any component device added to your equipment, whether it bears component registration or not, will require that a Part 68 compliance evaluation is done and possibly that you have testing performed and make a modification filing to the FCC before that new component can be used;
- any modification/update made by a manufacturer to any component device within your equipment, will require that a Part 68 compliance evaluation is done and possibly that you have testing performed and make a modification filing to the FCC before the new component can be used;
- if you continue to assemble additional quantities of this compound equipment, you are required to comply with the FCC's Continuing Compliance requirements.

The telephone company has the right to request the registration information.

The telephone company has the right to temporarily discontinue service. They are required to provide notification and advise of the right to file a complaint.

In case of trouble, you may be required to disconnect the board from the telephone lines until the problem is resolved.

• vi •

The authorized repair center is:

American Tel-A-System, Inc.
800-356-9148
4800 Curtin Drive
McFarland, WI 53558

There are no user serviceable components on the board. All repairs should be accomplished by returning the board to Amtelco with a description of the problem.

WARNING: This device contains Electrostatic Sensitive Devices. Proper care should be taken when handling this device to avoid damage from static discharges.

The H.110 MC3/Conference Board

Canadian Customers

CP-01, Issue 8, Part 1

Section 14.1

Notice: “The industry Canada label identifies certified equipment. This certification means that the equipment meets certain telecommunications network protective, operational and safety requirements as prescribed in the appropriate Terminal Equipment Technical Requirements document(s). The Department does not guarantee the equipment will operate to the user’s satisfaction.

Before installing this equipment, users should ensure that it is permissible to be connected to the facilities of the local telecommunications company. The equipment must also be installed using an acceptable method of connection. The customer should be aware that compliance with the above conditions may not prevent degradation of service in some situations.

Repairs of certified equipment should be coordinated by a representative designated by the supplier. Any repairs or alterations made by the user to this equipment, or equipment malfunctions, may give the telecommunications company cause to request the user to disconnect the equipment.

Users should ensure for their own protection that the electrical ground connections of the power utility, telephone lines and internal metallic water pipe system, if present, are connected together. This precaution may be particularly important in rural areas.

CAUTION: Users should not attempt to make such connections themselves, but should contact the appropriate electric inspection authority, or electrician, as appropriate.

• viii •

European Approvals

CE Approval



EN55022 EMC declaration

This is a class B product. In a domestic environment, this product may cause radio interference in which case the user may be required to take adequate measures.

No changes or modifications to the MC3 board are allowed without explicit written permission from American Tel-A-Systems, Inc., as these could void the end user's authority to operate the device.

1.0 Introduction

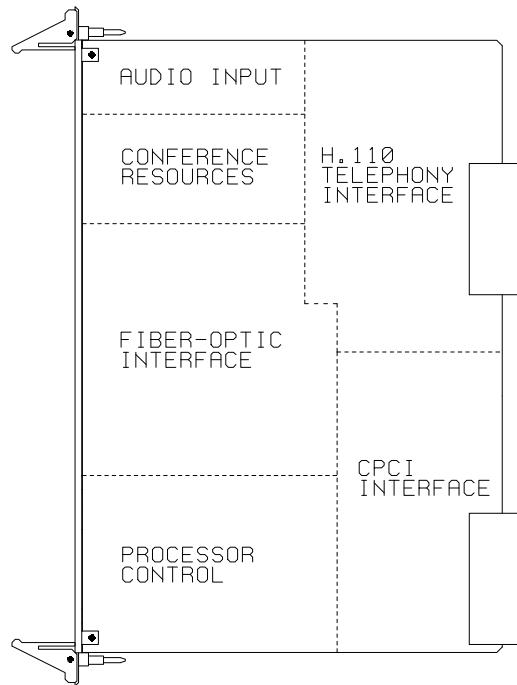
The Infinity Series H.110 MC3 Multi-chassis Interconnect & Conference Board is designed to provide a high capacity interconnect path between multiple computers using the H.110 bus to connect computer telephony boards within a *CompactPCI* chassis. This path is provided by fiber-optic links conforming to the MC3 standard and operating at the OC3 bit rate of 155 Mbps. Provisions are included for supporting dual counter rotating rings for redundancy or higher capacity.

In addition to the multi-chassis function, the board is equipped with enhanced conferencing facilities for up to 42 conferences with a total of 128 participants. Enhanced features include individual DTMF detection for each conference participant, a “clamping” function to prevent conferees from hearing DTMF tones generated by other conferees, and energy detection capabilities for conference inputs. A bidirectional analog port is also provided for such functions as music on hold and monitoring.

The H.110 bus was devised by the Enterprise Computer Telephony Forum (ECTF) to provide a single telecom bus for the entire industry. It is intended for add-in boards using the *CompactPCI* form factor. A variety of boards are available from a number of different vendors. The *CompactPCI* and H.110 specifications also provide for hot swap capabilities for use in high availability applications. The MC3 bus is a chassis interconnect standard promulgated by the GO-MVIP standards body.

The board is equipped with a processor that can be used to control the lower level functions of the board. The host PC controls the board using messages passed through dual-ported RAM. The board shares a common message passing and control scheme with other Infinity Series boards.

Figure 1: H.110 MC3/Conference Board Functional Areas



1.1 Features and Capabilities

This section presents an overview of the features and capabilities of the Infinity Series H.110 MC3 Multi-chassis Interconnect and Conferencing Board.

1.1.1 H.110 Bus

The H.110 bus is a digital bus for transporting PCM (Pulse Code Modulation) signals between telephony boards. It was created by the ECTF to provide a common bus structure for future development that would end the “bus wars” between the various legacy busses such as the SCbus and the MVIP bus.

PCM is a standard method of digitizing phone signals. It involves encoding each channel at an 8 kHz rate using eight bits. The signals from multiple channels are then combined into a frame. On the H.110 bus, each frame consists of 128 channels or timeslots. The bit rate of the H.110 bus is 8.192 MHz. Thirty-two wires, also called streams, each carrying 128

timeslots, are combined to form the bus, and provide a total of 4096 timeslots. Two timeslots are required for a full conversation, one for each talker.

In addition to the streams, a number of other signals necessary to maintain synchronization between all the boards in the system are carried on the bus. These signals provide the clocking and framing information. Redundant clocks are provided to aid in recovery if the primary clock should fail.

The H.110 bus consists of backplane connections on a 6U *CompactPCI* backplane that is used to interconnect the boards in the system. The CT Bus connections are made through the J4/P4 connector. The electrical and mechanical requirements of H.110 boards are tightly specified to insure the reliability and consistent performance of the CT Bus in any valid configuration of conforming boards.

1.1.2 The MC3 Bus Interface

The MC3 bus was devised by GO-MVIP as a means of providing a large number of 64 kbps channels between PC chassis using the MVIP bus for intra-chassis connections. In the interest of minimizing cost and taking advantage of existing hardware, the physical interface uses the same architecture as that used by the SONET standard operating at the OC3 bit rate of 155 Mbps.

Each link consists of a full duplex fiber-optic cable that can support 2430 channels. Seven of these channels are dedicated to framing purposes. The MC3 standard arranges two of these fiber links in dual counter rotating rings. The two rings can be used to provide redundancy against ring or chassis failure or they can be used to double the capacity. Each node of the MC3 structure provides bypass, drop and insert capabilities for each of the 64 kbps channels.

The Infinity Series H.110 MC3/Conference Board provides up to 1024 connections in each direction between the MC3 and H.110 busses.

The H.110 MC3/Conference Board

1.1.3 Conferencing

In addition to support for the MC3 bus, the H.110 MC3/Conference Board also includes enhanced conferencing facilities. Up to 42 simultaneous conferences can be supported with a total of 128 participants. The transmit and receive attenuation of each conferee can be controlled independently improving audio quality and making larger conferences practical. As a separate resource connected directly to the H.110 bus the conference facilities can connect to sources both within and external to the PC. When enabled, the conference facilities reduce the MC3 connectivity by 128.

1.1.4 DSP Functions

The H.110 MC3/Conference Board is equipped with four DSP's associated with the conferencing facilities. A DTMF detector is available for each potential conferee. The DSPs also provide a "clamping" feature which when enabled will temporarily interrupt a connection when a DTMF digit is detected. This can be used to prevent other members of a conference from hearing a DTMF tone generated by a conferee. There is also an energy detection capability that can be used to detect the loudest talkers in a conference.

In addition to DTMF tone detection, the DSPs can be used to generate and detect 2 kHz. tones which are used for performing continuity checks for Signaling System 7.

1.1.5 Analog Audio Port

The H.110 MC3/Conference Board also provides a bidirectional analog port that can be used for such purposes as providing music on hold or monitoring.

1.1.6 Clock Modes

The H.110 MC3/Conference Board can operate in a variety of clock modes. Modes are available so that the master clock can either be derived from the H.110 bus, one of the MC3 rings, or be generated internally on the MC3/Conference Board. The clock redundancy and clock fallback functions of the H.110 bus are also supported so that the H.110 MC3 Board can be set to provide a clock to the H.110 bus if the master clock on that bus should fail.

1.1.7 Hot Swap Capability

The H.110 Specification includes “hot swap” capability. This capability allows for the insertion and removal of boards from a live system. Not only are there provisions for controlling the electrical signals to prevent disruption when inserting and removing boards, but also for informing drivers and applications so that the board resources can be managed as they are added or deleted. Each H.110 board is provided with a blue LED that is used to inform an operator when it is safe to insert or remove a board.

1.1.8 Message Passing

The board occupies 8K of memory space on the host PC. This 8K may reside anywhere within the PC’s address space. As a *CompactPCI* board, the address and interrupt of the board is assigned at boot time. The message passing scheme used by the Infinity Series H.110 MC3/Conference Board is identical to that of the other Infinity Series H.110 boards, allowing for the easy combination of a variety of Infinity Series H.110 boards in a single system.

The message passing scheme and message syntax of Infinity Series H.110 boards is similar to that of the older XDS series of MVIP and SCbus boards. This facilitates the easy migration from ISA and PCI systems to designs using *CompactPCI* boards.

1.1.9 Flash EAROM for Firmware

The firmware for both the main processor and for the DSP's is contained in Flash EAROM. This allows for easy upgrades of the firmware on the board in the field without requiring time consuming downloads every time a system boots. Once reprogrammed, the new firmware is retained even when the power is removed. The original, factory programmed firmware is also retained on board and can be accessed by installing a jumper.

1.2 How to Use This Manual

The first five sections in this manual are organized in the order you should read and use them to get started with your H.110 MC3/Conference Board. We recommend that you begin with these three steps.

1. Follow the instructions in section 2.0 (Quick Start) and 3.0 (Installation). These sections will tell you if your board is operating correctly within your system. You don't need to be familiar with the board's command set to complete this step.
2. Read section 4.0 (Initialization) to initialize the board within your system. Your application must perform these initialization procedures whenever the computer is powered-up in order for the board to communicate with the application.
3. Read section 5.0 (Communications with the Computer) for an overview of how to communicate with the H.110 MC3/Conference Board. Section 5.0 includes a summary of the commands for constructing your application and details concerning system interrupts.

Before you can actually build your application, read section 6.0 (The H.110 bus, MC3 Bus and Clock Modes), 7.0 (Using the MC3 bus), 8.0 (H.110 Bus Switching) and 9.0 (Conferencing). These sections explain, with practical examples, how the H.110 MC3/Conference Board operates and

Introduction

• 1-7 •

how to use the command set to achieve the desired results.

Section 10.0 explains diagnostic and error messages that may occur.

The Appendix contains diagnostic information that will be helpful if you have problems installing your H.110 MC3/Conference Board.

this page intentionally left blank

2.0 Quick Start

This section describes the first steps you should perform to determine if your Infinity Series H.110 MC3 Multi-Chassis Interconnect & Conference Board is communicating correctly with your *CompactPCI* system. You can perform this quick check without connecting any cables.

The exact procedure will vary depending on which operating system you are running. For each operating systems, drivers are required to interface to the boards. The drivers supplied by Amtelco have tests built into them to verify communications with the boards. These drivers also come supplied with utility programs that allow the developer to test communications with the board. Please consult the appropriate documentation for the driver and operating system you are using.

Quick Start Procedure

1. With the chassis power off, insert the board into a slot.
2. Turn on the computer.
3. If the Amtelco driver is not already installed, install it now, following the instructions supplied with the driver.
4. Most Amtelco drivers will display a list of boards that are installed (see the documentation for the particular driver that you are using). If the H.110 MC3/Conference board is listed, skip to step 6.
5. If the board is not listed, there may be a problem with the board not being seated correctly in the backplane. There may also be a problem with a memory or interrupt conflict. Power down the chassis and check that the board is properly seated

The H.110 MC3/Conference Board

in the connector and repeat steps 1-4. If this does not remedy the problem, try removing any other computer telephony boards in the system. If your PC is unable to find the board, consult the number at the end of this section.

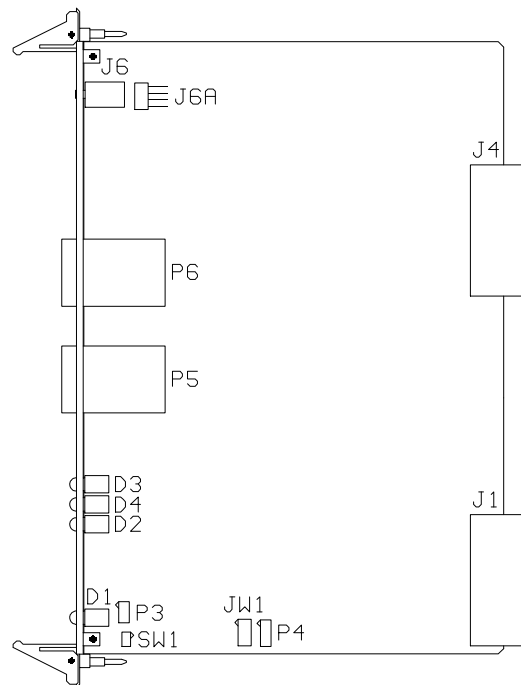
6. Run the program “xdsutil” supplied with the driver. Send the message “IN” to the H.110 MC3/Conference board. The board should respond with the message “IA”.
7. Send the message “VC” to the board. Verify that the Receive Message reads: VCxxxxvvvvH03 (where xxxxxvvvv is a variable indicating the firmware version).
8. If the Communications screen shows the correct command responses, your H.110 MC3/Conference Board is communicating with the PC. You may now power down the computer and attach the necessary cables (see section 3.4)

For technical assistance, call Amtelco at 1-608-838-4194 ext.168.

3.0 Installation

This section describes how to install your Infinity Series H.110 MC3 Multi-Chassis Interconnect and Conference Board into your computer and how to set the switches, jumpers, and connectors. Before you begin the installation procedure, be sure to test the board as described in section 2.0 (Quick Start).

Figure 2: Location of Jumpers Headers, and Connectors



3.1 PCI Configuration

As Infinity Series boards conform to the PCI standards, there are no switches to set to configure the H.110 MC3/Conference Board's memory address, I/O addresses, or interrupt. The host processor's bios will automatically configure the board at boot time to avoid conflicts with other boards in the system.

The H.110 MC3/Conference Board

3.2 Jumpers & Headers

The following is a complete list of all jumpers for the H.110 MC3/Conference Board:

- JW1-1** Firmware Select. If firmware has been downloaded to the board, this jumper selects whether the downloaded firmware or the factory default firmware is used. When this jumper is installed, the factory default firmware is executed whenever the board is reset. When the jumper is not installed, the downloaded firmware will be executed after a reset if it is present. If no downloaded firmware is present, the factory default firmware is executed after reset.
- JW1-2** DSP Firmware Select. Two separate firmware programs are included in the EAROM, one for the board processor and one for the DSP. If JW1-2 is installed and downloaded DSP firmware is present, the factory DSP firmware is executed after reset. Otherwise, the downloaded firmware is executed if present. See JW1-1
- JW1-3** Undefined, reserved for future use.
- JW1-4** Undefined, reserved for future use..
- JW3** This jumper is used for factory testing and should not have jumpers installed.
- P3** Diagnostic port. Never install jumpers here.
- P4** This header is used for programming internal logic and should never be jumpered.

3.3 Connectors: P5, P6 and J1

- P5** Ring 0 RCV, Ring 1 XMT. This is one of the two fiber optic transceivers for the MC3 bus. In a normal counter rotating ring connection, the fibers from this transceiver are connected to **P6** in the next chassis in the ring. This connector is keyed to insure proper insertion.
- P6** Ring 1 RCV, Ring 0 XMT. This is one of the two fiber optic transceivers for the MC3 bus. In a normal counter rotating ring connection, the fibers from this transceiver are connected to **P5** in the previous chassis in the ring. This connector is keyed to insure proper insertion.
- J1** Analog port. This port can be used to connect a music source or other device analog port for music on hold. The connector is a standard 1/8" headphone jack. The music source should be at standard line levels.
- J1A** Analog input. This header is connected in parallel with J1. It will connect with the audio output of a PC CD-ROM drive.

3.4 Installation

To install the H.110 MC3/Conference Board in your system:

1. Follow the quick check procedures described in section 2.0 to verify the operation of the board.
2. If the quick check is successful, turn off the chassis power and remove the board from the chassis.
3. Install any necessary board jumpers. See section 3.2 for jumper configurations.

The H.110 MC3/Conference Board

4. Insert the board into the chassis. Seat it properly in a slot in the chassis and secure it with the front panel handles.
5. Connect the fiber optic cables to P5 and P6. See section 6.4 for details on the various ring configurations.
6. If the analog port is to be used, connect the music source or other compatible device.
7. Power up the computer.

3.5 Hot Swapping a Board

The Infinity Series H.110 MC3/Conferencing Board can be “hot swapped,” that is it can be removed from a functioning system without turning the power off or interrupting applications. However, to be able to do this, the host processor must be equipped with suitable hot swap drivers as well as a hot swap manager which will alert applications when a board has been inserted or removed from the system so that resources can be properly managed. It is beyond the scope of this manual to describe the operation of either the hot swap driver or hot swap manager.

Each H.110 board is equipped with a switch linked to the lower ejector tab and a blue LED. This combination is used to coordinate the actions of an operator with the system software. When inserting a board, the board is pushed in part of the way until the blue LED is illuminated. The insertion may then be completed. When the connection process is complete, the LED will go out. To remove a board, the lower ejector handle is depressed until it is in the unlatched position. When the blue LED comes on, the board may be removed from the system.

To install the board in a system under power:

1. Insert the board with the ejector tabs spread apart until partially engaged.
2. Wait until the blue LED is illuminated.
3. Finish inserting the board by pushing the ejector tabs towards each other. The LED should then go out.

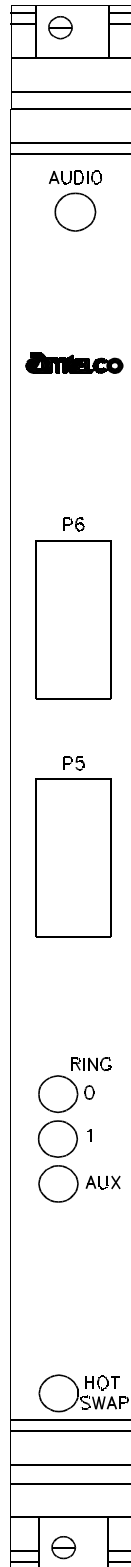
To remove the front board from a system under power:

1. Depress the lower ejector tab until it is in the unlatched position.
2. Wait until the blue LED is illuminated.
3. Finish removing the board by spreading the ejector tabs apart until the board is ejected.

• 3-6 •

Installation

Figure 3: Front Panel with Status and Hot Swap LEDs, MC3 Fiber Connectors, and Top and Bottom Ejector Handles



The H.110 MC3/Conference Board

4.0 Initialization

This section describes the procedures necessary to initialize the system and enable the host computer to communicate with the Infinity Series H.110 MC3 Multi-Chassis Interconnect and Conference Board. XDS drivers will implement some of these procedures.

4.1 PCI Initialization

The system BIOS is responsible for recognizing *Compact*PCI boards and mapping them into the I/O and memory spaces as required. It is also responsible for assigning interrupts to the board. This is done through a set of on board registers which contain information specifying the memory, I/O, and interrupt needs of the board. A set of BIOS functions exist for accessing this information. A detailed description of these functions can be found in the *PCI BIOS Specification* published by the PCI SIG, the PCI Special Interest Group.

Normally, the drivers supplied by Amtelco will take care of the process of finding Infinity Series boards and establishing communications. The information in the rest of this subsection is for background only.

The configuration registers of every *Compact*PCI board contain a vendor ID and device ID code. These codes are unique to each board vendor. All Infinity Series H.110 boards have the same vendor and device IDs. The vendor ID is 14E3h and the device ID is 0101h. A BIOS function exists that will find each instance of a particular vendor and device ID, and which returns with a bus and device number. The bus and device number is then used in functions to read the configuration registers.

The configuration registers contain information on the base address of the memory and I/O assigned to the board by the BIOS. A PCI board may

have up to six different base addresses. On Infinity Series H.110 boards, the first two base addresses are used by the PCI bus interface logic. The third base address which is contained in registers 18-1Bh contains the memory location of the dual-ported memory that is used to pass messages. The interrupt information is contained in register 3C. The information in these configuration registers can be used by a driver to address the board.

4.2 Initialization Commands

The H.110 MC3/Conference Board is initialized by sending a sequence of command messages to the board. The process of sending messages is described in detail in Section 5.0, but normally it is accomplished either with a low-level driver XMT command or the API function **xds_msg_send**. Response messages are read using the low-level driver RCV command or the API function **xds_message_receive**.

To enable communications with the H.110 MC3/Conference Board, an **IN** command message should be sent to the board. The board will respond with an **IA** message.

The board may be reset using the command message **RA**. The board will respond with an **RA** message.

Your application can now configure the H.110 MC3/Conference Board using these commands

<u>Command</u>	<u>Purpose</u>
SCmsabb(c)	Sets the clock mode for the board. The parameter <i>m</i> is the clock-mode. The parameter <i>s</i> is the clock sub-mode. The parameters <i>a</i> , <i>bb</i> , and <i>c</i> are used to specify additional clock control information such as compatibility modes, clock rates, local network, and CT_NETREF settings. The default mode on power-up or restart is mode 0. See section 6.0 of this manual for details of clock mode arguments.

- SEx** Sets the encoding mode for the board. The parameter *x* can be either M for Mu-Law as used in North America and Japan, or A for A-Law as used in Europe and Asia. The default value is for Mu-Law.
- SKa** This command is used to enable or disable conferencing. If the parameter *a* is E, conferencing will be enabled, if the parameter *a* is D, conferencing will be disabled. When conferencing is enabled, the maximum number of connections between the MC3 and H.110 bus is reduced from 1024 to 896.
- SMx** Selects the ring mode. The parameter *x* is used to choose between the extended mode where both rings are available and the redundant modes where one of the rings acts as the primary ring and the other as a backup. The choices for *x* are:
- 0 - extended mode, 4846 timeslots
 - 1 - redundant mode, primary ring is 0, 2423 timeslots
 - 2 - redundant mode, primary ring is 1, 2423 timeslots
- SRx** Selects ring failure mode. If the board is to be operated with only a single ring due to a failure or configuration choice, this command is used to set the appropriate hardware. The choices for *x* are:
- 0 - Both rings are operational
 - 1 - Ring 0 failure
 - 2 - Ring 1 failure
 - 3 - Both rings failed

this page intentionally left blank

5.0 Communicating with the Host

This section describes how the host computer communicates with the Infinity Series H.110 MC3 Multi-chassis Interconnect and Conference Board. It includes the definitions for the H.110 MC3/Conference Board commands and responses along with a description of the mailboxes used for messaging.

The board is controlled by the host computer through a system of two mailboxes. The messages consist of short NUL-terminated ASCII strings, which are easy for the host software to compose and parse. The board is capable of buffering up to eight messages in either direction and can drive an interrupt line when it has a message for the host. Messages may not exceed 32 characters.

There are two mailboxes, one for messages to the board and one for messages from the board, and two flags associated with them. A 00h in a flag byte indicates the mailbox is free, a non-zero value indicates that the mailbox is occupied. The mailboxes and their flags are contained in an 8K block of dual-ported memory at the following offsets:

receive mailbox	1F80h
transmit mailbox	1FC0h
transmit flag	1FFCh
receive flag	1FFEh

The board's base address is determined by reading PCI Configuration Space offset 18h. The 32-bit value at this location is the base address for the dual-ported memory on the board.

To send a message, the message is placed in the mailbox and the flag is set to 01h. To read a message, the message is removed from the mailbox and the flag is cleared to 00h. This will clear the interrupt hardware.

The H.110 MC3/Conference Board

5.1 Command and Response Protocol

This section describes the necessary step-by-step procedures for the host to send a command to the board and to remove a response from the board.

5.1.1 Sending Commands to the Board

The basic steps to sending a command to the H.110 MC3/Conference Board are:

1. Build a command. Broadly speaking, a command is a string of ASCII characters with a NUL (00h) termination character.
2. Check the transmit flag. If the flag is 0, continue with the next step to put the command in memory. If the flag is not 0, wait until the flag is 0.
3. Insert the command in transmit mailbox memory beginning at the address of the transmit mailbox.
4. Write 01h to the transmit flag. This notifies the board that a message is waiting.

5.1.2 Reading Messages From the Board

1. Check the receive flag. If the flag is 0, there is no message. If it is non-zero, a message is waiting. Continue with the next step to read the message.
2. Remove the message from memory, starting at the address of the receive mailbox. Messages are NUL-terminated ASCII strings.
3. Write 0h to the receive flag.

5.1.3 Reading Board Information

A range of board information is included in memory so that it can be checked without sending a message:

<u>Type of Information</u>	<u>Offset Address</u>
Board ID	1F00-1F03
Firmware Version	1F04-1F07
Shelf and Slot ID	1F08-1F09
Number of transmit timeslots	1F10-1F11
Clock mode settings	1F18-1F1B
Board configuration	1F1C-1F1E
Clock status bits	1F1F

The board stores its identity upon power up or a hardware restart. The phrase **Restart cPCI MC3 © Amtelco 1999** appears in the receive mailbox. The receive flag is not set and no interrupt is generated.

5.2 Interrupts

The H.110 MC3/Conferencing Board can generate an interrupt to the PC indicating that a message is available. The interrupt for PCI boards is assigned by the BIOS or Operating System at boot time. The assignment is dependent on which PCI slot the board is in. The interrupt line is usually shared by more than one device. If multiple Infinity Series boards are installed they may or may not all share the same interrupt line.

In order for an Infinity Series board to send interrupts to the PC, the PCI Interface circuit on the board must be programmed to enable interrupts. This is accomplished by setting bits 0 and 3 in the board's Interrupt Control/Status Register. This is a byte-wide register located at an offset of 69h from PCI Base Address 0. PCI Base Address 0 is contained in PCI Configuration Space register 10h. The Base address is a 32-bit value and is mapped into memory.

When an Infinity Series board sends a message, it generates a local

The H.110 MC3/Conference Board

interrupt to the PCI Interface circuit on the board. If the PCI Interface circuit has been programmed to generate interrupts to the PC, the local interrupt is passed through to the PC. When the PC receives an interrupt, its Interrupt Service Routine (ISR) should check the Infinity board's receive flag to see if a message is pending (i.e. the receive flag is non-zero). It should then process the message for the board and write a 0 to the board's receive flag.

5.2.1 Interrupt Initialization

1. Clear the board's receive flag.
2. Read the PCI Base Address 0 from PCI Configuration Space offset 10h (this must be a 32-bit access).
3. Set bits 0 and 3 of PCI Base Address 0 + 69h. Do not modify any other bits in this register. This register is a byte-wide memory mapped register.

5.2.2 Step-by-Step Interrupt Processing Summary

1. Check to see if the receive flag is non-zero.
2. Remove the message from the receive mailbox.
3. Write 0h to the receive flag.
4. Re-enable the interrupt controller on the PC.

5.3 Commands and Responses

This section gives a general overview of the H.110 MC3/Conference Board commands and responses. The commands are grouped by function and then listed in alphabetical order by two-letter command. Refer to sections 7.0 through 10.0 for examples and explanations of how to use these commands.

5.3.1 Characteristics of Command Strings

- < All commands consist of null (00h) terminated ASCII strings.
- < There are no spaces or other delimiters between parameters in the commands.
- < All letters in command strings must be UPPERCASE unless otherwise noted.
- < Lowercase monospaced letters (such as `xx`) in the following command references represent parameters within commands. Each letter represents one ASCII digit.
- < Numeric parameters are always hexadecimal numbers.

5.3.2 Command Parameters

The following table documents the common parameters for many of the commands listed in the next sections. Other less common parameters are defined with individual commands.

Common Command Parameters		
Parameter	Definition	Values
hh	Conference handle	01-2Ah
cc	Conference Control Address	00-7Fh
pp	Output pattern value	00-FFh
iiii	1st & 2nd i, H.110 receive stream	00-1Fh
	2nd & 3rd i, H.110 receive timeslot	00-7Fh
oooo	1st & 2nd o, H.110 transmit stream	00-1Fh
	3rd & 4th o, H.110 transmit timeslot	00-7Fh
YYYY	1st & 2nd y, MC3 transmit stream	00-4Bh
	3rd & 4th y, MC3 transmit timeslot	00-3Fh
zzzz	1st & 2nd z, MC3 receive stream	00-4Bh
	3rd & 4th z, MC3 receive timeslot	00-3Fh
bsstt	MVIP-95 terminus, b - bus, ss - stream, tt - timeslot	C, H, L, X 0000-4B7F

5.3.3 Commands to the H.110 MC3/Conference Board

Note that sections 7.0-9.0 provide supplemental information and examples for the commands and messages documented here.

Conference Commands

CAhho000iiiian Conference H.110 timeslot iiiii, output on timeslot oooo, conference hh, attenuation a, noise threshold n

CDoooo Disable output to H.110 timeslot oooo

CEiiii(cc) Enable DTMF detection on conferenced timeslot iiiii, cc = clamping time .02 sec increments

CEiiiiD Disable DTMF detection on conferenced timeslot iiiii

The H.110 MC3/Conference Board

CIhhiiian	Add H.110 input timeslot <i>iiii</i> to conference <i>hh</i> attenuation <i>a</i> , noise threshold <i>n</i>
CLiiii	Enable 2 kHz. tone detection on H.110 timeslot <i>iiii</i>
CLiiiiD	Disable 2 kHz. tone detection on H.110 timeslot <i>iiii</i>
CMhhoooo	Monitor conference <i>hh</i> on H.110 timeslot <i>oooo</i>
CTooooE	Enable 2 kHz. tone on H.110 timeslot <i>oooo</i>
CTooooD	Disable 2 kHz. tone on H.110 timeslot <i>oooo</i>
CUhh	Dissolve conference handle <i>hh</i>
CXhhiiii	Remove H.110 timeslot <i>iiii</i> as an input to conference <i>hh</i>

MC3 Bus Commands

XCooooiiiiyyyyzzzz	Connect H.110 timeslot <i>iiii</i> to MC3 transmit timeslot <i>yyyy</i> and MC3 receive timeslot <i>zzzz</i> to H.110 timeslot <i>oooo</i>
XDIoooo	Disable output to H.110 timeslot <i>oooo</i> from MC3 bus
XDOyyyy	Disable output to MC3 timeslot <i>yyyy</i>
XLIoooozzzz	One-way audio from MC3 timeslot <i>zzzz</i> to H.110 timeslot <i>oooo</i>
XLOyyyyiiii	One-way audio from H.110 timeslot <i>iiii</i> to MC3 timeslot <i>yyyy</i>
XPIooooopp	Output pattern <i>pp</i> on H.110 timeslot <i>oooo</i>
XPOyyyypp	Output pattern <i>pp</i> on MC3 timeslot <i>yyyy</i>

Analog Port Control (Music on Hold)

AD	Disable Music on Hold transmit
AEoooo	Enable Music on Hold output to H.110 timeslot <i>oooo</i>
AGttrr	Set transmit attenuation to <i>tt</i> and receive attenuation to <i>rr</i> in .1 dB steps
ARiiii	Enable analog input from H.110 timeslot <i>iiii</i>
ARX	Disable analog input

MVIP Compatibility Commands

MAM	Audio port control mode m = D - disabled, m = E - enabled
MDccmdd	DTMF detection control, cc - CCA, m = D - disabled, m = E - enabled, dd - duration
MKhhccman	Conference control, hh - conference handle, cc - CCA, m = D - disabled, m = E - enabled a - attenuation, n - noise threshold
MObssttD	Set_output disable mode, bsstt - output terminus
MObssttEbsstt	Set_output enable mode, bsstt - output terminus, bsstt - input terminus
MObssttPpp	Set_output pattern mode, bsstt - output terminus, pp - pattern value
MTD	Disable output to the CT Bus (tristate)
MTE	Enable output to the CT Bus

Interrupt Control Commands

IF	Disable transmit interrupts and messages
IN	Enable transmit interrupts and messages

Reset Commands

RA	Reset All
RD	Reset DSP's

Setup Commands

SAhhan	Set conference with handle hh to attenuation and noise threshold n
SCmsabb(c)	Set clock mode m submode s, arguments a, bb, & c
SDm	Set energy detection mode, m = D - disabled, m = E - enabled
SEm	Set encoding mode, m = M - mu-Law, A - A-Law
SKm	Set Conference mode, m = E - enabled, D - disabled
SLx	Set Loopback Mode x = 0-F, 0 = no loopback bit 0 - TLBB, 1 - FLBB, 2 - TLBA, 3 - FLBA

SMx	Set Ring Mode, x = 0 - extended mode, both rings available 1 - Redundant rings, Ring 0 primary ring 2 - Redundant rings, Ring 1 primary ring
SRx	Select Ring Failure bits, x = 0, no failure, x = 1 ring 0, x = 2 ring 1, x = 3 both rings

Version Requests

VA	Checksum of alternate segment request
VC	Version request
VD	DSP version request

Download Commands

@xxxx	Download 1K block to address xxxx
@Es	Erase segment s
GA	Jump to Alternate Program
GM	Jump to Main Program
@Ws	Write from RAM to segment s

Diagnostics

QC	Query Clock Mode information
QHcrrrr	Query CT812, c = CT812, rrrr = register
QL	Query geographical information (shelf & slot)
QMRx0zzz	Query MC3 Receive, x = MT90840, zzz = internal stream & timeslot
QMTxyyyy	Query MC3 Transmit, x = MT90840, yyyy = MC3 stream & timeslot
QObsstt	Query Output for terminus bsstt
QPd(cmdnd)	Send command to DSP d
QS	Query MC3 bus status

5.4.4 Responses from the H.110 MC3/Conferencing Board**Acknowledgements**

IA Interrupt On acknowledge
RA Reset all acknowledge

Error Messages

ECxx Clock error bits xx
EFr Ring r failure
EG01 Conflict while enabling 2 kHz. generator
EKhhxx Conference error for conference handle hh, error xx
 01 - illegal handle
 02 - no free conference inputs
 03 - not an input to conference
EPoooo Path error for H.110 output timeslot oooo
ERr Ring r restored
ESrxx Ring r status error, status xx

Query Responses

QCmsabrtrtkkrsmxsy Reply to Query Clock Mode
 m - mode, s - submode, a, b - arguments
 rr - stream rate byte, tt, kk - enable flags
 rs - reset byte, mx - mux byte, sy - SYN-155 byte
QH0rrrrddddd Reply to CT812 query, ddddd is register data
QLaabb Reply to location query, shelf aa, slot bb
QMRx0zzzhlldd Reply to Query MC3 Receive,
 hh = receive path connection memory high
 ll = receive path connection memory low
 dd = transmit path data memory
QMTxyyyyhhlldd Reply to Query MC3 Transmit
 hh = transmit path connection memory high
 ll = transmit path connection memory low
 dd = receive path data memory
QObsstt(mbsstt) Query_output reply, bsstt - output terminus, m - mode
 (bsstt) input terminus
QPd(string) Response from DSP d
QSsstt MC3 bus status ss for ring 0, tt for ring 1

DTMF Detection Messages

STiiii DTMF tone t detected on H.110 stream & timeslot iii
STX0cct DTMF tone t detected on CCA cc

Diagnostic Responses

VAcccc Alternate segment checksum, cccc - checksum
VCccccvvvviix Version request response, cccc - checksum
 vvvv - version, iii - board identifier
 HO3 - cPCI MC3 board, x - population level
VDxxxx DSP version number
U(msg) undefined or unparseable message

this page intentionally left blank

6.0 The H.110 Bus, Clock Modes & MC3 Bus

The Infinity Series H.110 MC3 Multi-Chassis Interconnect and Conference Board provides a means of connecting the fiber-optic MC3 interchassis bus to the H.110 bus. Through this bus, the MC3 channels can be connected to other H.110 compatible boards. The H.110 MC3/Conference Board also has facilities for conferencing and an analog port for music on hold or monitoring. It is capable of operating in a variety of clock modes compatible with H.110 and MC3 operation.

6.1 The H.110 Bus

The H.110 bus consists of 32 Pulse Code Modulation (PCM) streams operating at an 8.192 MHz. clock rate. Each stream contains 128 timeslots, for a total of 4096 timeslots. In addition to the PCM data signals, there are a number of bit, frame, and network reference signals that are used to synchronize the operation of multiple boards.

For the purposes of commands, a particular H.110 timeslot is referred to by a four digit hexadecimal number. The first two digits are the stream number, while the last two digits are the timeslot within the stream. Streams range from 00h to 1Fh, and timeslots from 00-7Fh.

The physical H.110 bus is a backplane connection using the J4/P4 connector. The H.110 specification defines allowable impedance and signal lengths on each board so that additional bus termination is not needed to insure the proper operation of the bus. The maximum length of the bus (24.8 in.) and the maximum number of slots (21) are also specified.

Different length pins are also used on the various connectors. This is done so that the various signals are staged in the correct order.

The H.110 MC3/Conference Board

6.2 Clock Modes

The H.110 bus specification defines a variety of clock signals. Two clock signals CT bus A and CT bus B are provided for redundancy. In addition, two signals called CT_NETREF_1 and CT_NETREF_2 are defined which may be referenced to an external clock source such as a T1 or E1 span. These signals exist to aid in recovery if the primary clock source should fail.

The clock mode must be set before any connections can be made with other boards. The clock mode is set using the Set Clock command “SCmsabbc”, where m is the clock mode, s is the sub-mode, and a, bb, and c are additional arguments used to select clock sources and specify compatibility modes. The default clock mode on a power up is to provide a local clock, but to neither source clock signals to the bus or derive the clock from the bus. The possible clock modes are:

- 0 no clocks to or from the bus
- 1 clocks slaved to the CT bus
- 2 the board is clock master CT bus clock A
- 3 the board is clock master CT bus clock B
- 4 the board is secondary master for CT bus clock A
- 5 the board is secondary master for CT bus clock B

Connections are possible only when all boards within a system are synchronized to the same clock. Only one board in a system can provide the H.110 bus clock. The other boards in the system must slave their internal clocks to the master. If the H.110 MC3/Conference Board is to use the H.110 bus clock, this clock must be provided by another board before switching can be accomplished.

6.2.1 Slave Mode

In the Slave Mode, the H.110 MC3/Conference board derives its clocks from one of the clock signals on the CT bus. The clock signal is selected with the submode argument in the **SC** command. The possible clock

signals are:

- 0 - CT bus clock A
- 1 - CT bus clock B
- 6 - CT bus clock A, auto-fallback mode
- 7 - CT bus clock B, auto-fallback mode

Argument a is used to set the CT_NETREF mode, while argument bb is used to select the source of CT_NETREF. The choices for argument a are:

- 0 - No CT_NETREF output
- 1 - CT_NETREF_1 output is enabled
- 2 - CT_NETREF_2 output is enabled

It should be noted that CT_NETREF_2 is defined only for the H.110 bus and not the H.100 bus. The CT_NETREF source can be either MC3 Ring 0 if argument bb is 00 or MC3 Ring 1 if argument bb is 01.

6.2.2 Primary Master Mode

In modes 2 or 3, the board supplies the CT master clocks A or B respectively. Other boards on the H.110 bus will synchronize to one of these clocks. The source of the clock is selected by the submode argument s. The choices are:

- 0 - freerun, the board's internal clock
- 1 - CT_NETREF_1
- 2 - CT_NETREF_2
- 3 - a local network, either Ring 0 or Ring 1
- 4 - a local network with auto-fallback to CT_NETREF_1
- 5 - a local network with auto-fallback to CT_NETREF_2

For submode 1 and 2, argument bb will select the frequency of the CT_NETREF signal. The choices are:

• 6-4 •

The H.110 Bus, Clock Modes & MC3 Bus

- 00 - 8 kHz. (frame rate)
- 01 - 1.536 MHZ. (T1 rate)
- 02 - 1.544 MHZ. (T1 extended superframe rate)
- 03 - 2.048 MHZ. (E1 rate)

For submodes 3-5, argument bb will select either the MC3 Ring 0 if 00 or Ring 1 if 01. For submodes 4 and 5, the optional argument c will specify the frequency of the selected CT_NETREF source.

For all modes, argument a should be set to 0. On H.100 boards, this argument is used to select the legacy bus compatible clocks that the board will supply. As the H.110 bus is not compatible with the SC or MVIP bus, the only valid option is 0, no compatibility clocks provided.

6.2.3 Secondary Master Modes

When a board is operating as a secondary master, it uses the other clock signal as a source, i.e. if a board is the secondary master for CT clock B, it uses CT clock A as a source and provides CT clock B. If the primary clock fails, the secondary master then becomes the clock master. Typically, one board will be set as the master for clock A and another board as the secondary master for clock B, or vice versa. If the clock source specified by the submode is either of the CT_NETREF signals or a local network, the board will automatically fall-back on that source if the primary clock should fail. If set to free-run, it will fall back to a PLL that was locked to the primary master clock.

In all secondary master modes, if the primary master fails, the board will automatically become the new primary master. If the original primary master is restored, the clock mode for the original secondary master must be reset

When operating in secondary master mode, submodes 0-3 are valid and the arguments a, and bb are the same as when operating as a primary master.

6.2.4 Clock Fallback

The H.110 Specification details a scheme for automatically recovering from a clock failure. One of the CT bus clocks, either A or B is designated the master clock. The other clock is the secondary master and is generated by a different board than the primary clock. While the primary clock is valid, the secondary clock is locked to it. If the primary clock should fail, the secondary clock takes over using a local oscillator, CT_NETREF_1, CT_NETREF_2, or a local network as the source. Boards that are slaves should automatically fall back to the secondary clock. After a failure of the master clock, system software should designate new primary and secondary clocks. The new primary may be the previous secondary clock master. For Infinity Series H.110 boards, this will involve sending a set clock command with the new primary clock information.

When an Infinity Series board is set for automatic fallback, the board will automatically switch to the secondary clock if the primary clock fails. When this occurs, the board will send an “EC” message indicating the failure. When the application designates a new primary master, it should send a new clock mode command to the board even though auto-fallback may have occurred.

6.2.5 Clock Errors

If the board detects a problem with the clocks, it will generate a clock error, which notifies the application that it should take appropriate action. Clock errors are reported in the Clock Error Bit message, **ECxx** where the **xx** is a hexadecimal value in which each bit identifies the specific error. A value of 1 indicates an error condition. The bits are as follows:

<u>bit</u>	<u>Error Description</u>
0	CT bus clock A
1	CT bus clock B
2	SCbus clocks
3	MVIP bus clocks
4	Master PLL error

As the SC and MVIP bus signals are not present, bits 2 and 3 can be ignored.

6.3 The MC3 Bus

The MC3 bus is an interchassis connection mechanism that was defined by the GO-MVIP Technical Committee. It uses many of the same concepts and physical standards as the OC3 SONET specification, but is unique and not intended for direct interconnection with SONET equipment.

The MC3 bus consists of two full-duplex fiber-optic connections operating at a 155 Mbps bit rate. This gives 2430 64 kbps channels on each ring, of which seven are required for framing. The remaining 2423 channels are available for use in transporting 64 kbps information between chassis. The separation between chassis can be as great as 2000 meters. The MC3 bus can be operated in two modes. In the first mode, the two rings can be combined to give a total of 4846 channels or timeslots. In the second mode, the two rings can be arranged as redundant counter rotating rings. In this mode signals can be routed around any one break between chassis.

For the purposes of compatibility with the XDS MC1 Multi-Chassis board, the MC3 bus is divided up into logical streams of 64 timeslots each. Each ring has 38 of these logical streams, though the last stream does not have a full 64 timeslots. Timeslots are referenced using a four digit hexadecimal number where the first two digits indicate the stream and the last two the timeslot. It should be noted that this arrangement is merely a logical convention and each frame on a ring actually consists of 2430 timeslots.

6.3.1 MC3 Ring Errors

The MC3 rings are also a possible source of errors. If a ring failure is detected, it will be reported with a message of the form **EFr** where r is the ring. Restoration will be reported with a message of the form **ERr**. If the

failed ring was being used to provide a reference for the chassis, it may be necessary to change clock modes. Other error conditions may also be detected. These are reported with a message of the form **ESrxx** where r is the ring and xx is the value of the ring status register. The bits in this register are:

<u>bit</u>	<u>description</u>
0	LOS - loss of signal
1	LOF - loss of frame
2	OOF - out of frame
3	RFE - receive frame error
4	B1ERR - bit error

6.3.2 Ring Status LEDs

The board is equipped with two front panel LEDs to indicate the status of the MC3 rings. When a ring is operating normally, the LED for that ring will be green. If the ring fails, the LED will be yellow. If an error occurs that causes an “ES” message the LED for that ring will switch to yellow for a second before returning to green. A third status LED indicates the state of the main processor and should normally blink green at a one second rate.

6.4 MC3 Ring Configurations

The standard MC3 configuration takes the form of two counter rotating rings. That is, signals in one ring move between the chassis in one direction and the signals in the other ring move in the opposite direction. To make this configuration, the fiber plugged into P5 in one chassis is plugged into P6 of the next chassis in the system. This pattern is repeated until the fiber finally wraps around itself and is plugged into P6 of the first chassis in the circle. As each connector consists of the receive fiber for one ring and the transmit fiber for the other ring, this configuration completes the two rings rotating in opposite directions.

If the fiber should be interrupted between two chassis, or if there should be

a chassis failure, the boards on either side of the break can be set so that signals loop back on themselves. Received signals, instead of being transmitted on the same ring, are transmitted on the other ring in the opposite direction. This forms a completed loop avoiding the broken segment or off-line chassis. The ability to avoid a segment or chassis allows maintenance to be performed while keeping the rest of the system running.

It is also possible with a two chassis system to connect the chassis using only one fiber pair. This may be desirable in some small configurations for the sake of simplicity or to keep the cost down.

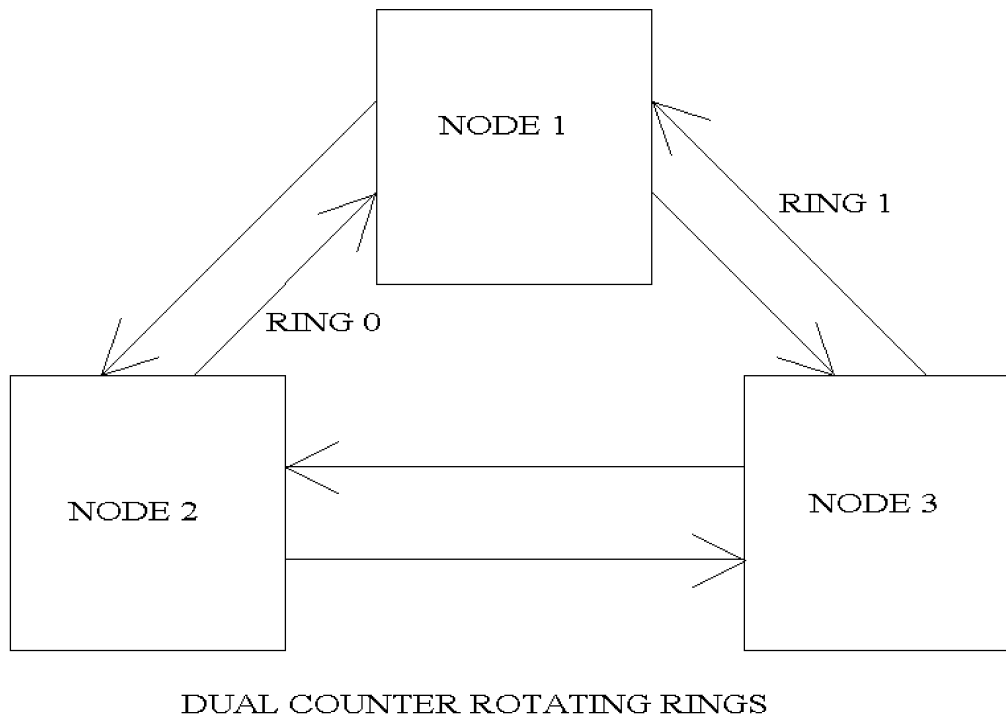


Figure 4: Three Node MC3 Ring

6.5 Configuration Information

Information on the clock mode setting, stream rates, and other configuration settings is available in the dual-ported memory in an eight byte block beginning at an offset of 1F18h. The first four bytes are the clock mode, the submode, and the a and bb arguments from the set clock command **SC**. On H.100 boards the sixth byte is used to indicate the state of the H.110 and MVIP termination and can be ignored on H.110 boards. Bits 0 and 1 of the seventh byte indicate whether conferencing and the audio port have been enable. The eighth byte contains the clock error status bits. These are in the same order as in the **EC** clock error message (Sec. 6.2.5)

6.6 Hot Swap

Hot swapping is the capability of being able to insert or remove a board from a live system without having to power down or interrupt the operation of the system. The H.110 specification provides for hot swap capabilities, and these are implemented on the H.110 MC3/Conferencing Board.

Each board has a switch that is linked to the ejector tab. This switch is used to assert a signal called **ENUM#** when a board is inserted or about to be removed. Each board also has a blue LED which is used to indicate the status of the board. Upon insertion, this LED is illuminated until the hardware connection process is complete. The LED is then turned off. When removing the board, the ejector tab is partially depressed to signal that the board is to be removed. The blue LED will then be illuminated indicating that it the board may be fully removed.

The **ENUM#** signal is used to notify a Hot Swap Driver of the impending insertion or removal of the board. It is the responsibility of the driver to take what ever steps are necessary to connect or disconnect the hardware.

this page intentionally left blank

7.0 Using the MC3 Bus

This section describes the operation and use of the MC3 Bus. It will explain the steps required for initialization, how to make and break connections, how to take advantage of the redundancy the MC3 architecture provides, how to handle errors, and some of the diagnostic modes.

7.1 Initialization

The most important consideration in properly initializing a system is the configuration of the clocks. Before connections can be established, a uniform set of clocks must be set up and synchronized. This is necessary so that a particular timeslot in a frame can be identified.

One and only one board in the system can serve as the master clock. This clock can be derived from an external digital circuit such as a T1, E1 or ISDN interface or it can be generated by a local on board oscillator. If there is one or more T1 or E1 circuits coming from the public switched network, one of these **must** be the master clock source. This clock is then placed on the H.110 bus for the other boards in that chassis to use as a reference. In the case of an MC3 board, this clock is used to generate the framing on the MC3 rings. Other MC3 boards in the system then reference their clocks from the MC3 framing and use these clocks to drive the CT bus clocks in all the other chassis in the system. If there are no external digital circuits to serve as the ultimate clock reference, one of the MC3 boards may be selected to derive its clock from the local oscillator on that board. This board then drives the clock for both the H.110 and MC3 busses.

Before connections can be made, the clock configuration of all boards in the system must be set. On the H.110 MC3/Conference Board, this is

The H.110 MC3/Conference Board

done using the Set Clock command. This command takes the form **SCmsabb(c)**, where m is the clock mode, s is the clock sub-mode, and a, bb, and c specify reference frequency and which local network (MC3 Ring) is the clock source if the board is a clock master. Note that all but one of the MC3 Boards must be a clock master deriving its clock from one of the two rings. This means that for all but one of the H.110 MC3 boards the clock mode must be “2” or “3”, the clock submode must be “3”, “4” or “5” (clock source is the local network), and the local network bb must be either Ring 0 or Ring 1. The remaining board must either be running in slave mode or be running as a bus master in clock mode “2” or “3” with the clock submode set to “0” (freerun). If there are digital network connections in one of the chassis, that is a T1, E1, Primary Rate ISDN or Basic Rate ISDN board, that board must be the clock master in that chassis and the MC3 board in that chassis must be slaved to the bus and providing the clocking to the MC3 bus. If more than one chassis has such a board, then one chassis should be picked as the master (a T1, E1, or Primary Rate ISDN is preferred over a Basic Rate ISDN board).

For interoperability with chassis using the XDS MVIP MC3 Board, the XDS MVIP MC3 boards should be running in clock mode “3” unless that chassis contains the ultimate clock source, in which case the XDS MC3/Conferencing Board clock mode will be “0” or “1” if the MVIP bus in that chassis is the source of the clock reference, or “2” if the clock is being derived from the local oscillator on the board.

With the clock mode selected, it may be necessary to select the ring mode. The default is the extended mode where timeslots on both rings are available for use. To select the redundant mode, the Set Ring Mode command must be used. This command takes the form **SMx** where x is the mode. If x is “1”, Ring 0 is the primary ring with ring 1 reserved for fallback in case of a failure. If x is “2”, Ring 1 is the primary ring. An x value of “0” selects the extended mode.

If the MC3 configuration is anything other than an extended counter rotating ring, it will also be necessary to set the ring failure bits. This is done using the “SR” or Set Ring Failure command. This command takes the form **SRx** where x selects the ring failure mode. If x is “0”, there is no

The H.110 MC3/Conference Board

failure, if x is “1”, ring 0 has failed, and if x is “2”, ring 1 has failed. The default mode is 0 where full counter rotating rings are assumed to be functioning. If only one fiber pair is functioning, or one of the redundant modes is selected, then one of the failure modes must be selected. If the working fiber is connected to P5, or Ring 0 is the primary ring, then the failure mode should be “2”, if the working fiber is connected to P6, or Ring 1 is the primary ring, the failure mode selected should be “1”.

7.2 MC3 Switching Commands

Connections between the MC3 and H.110 busses are controlled using the “X” commands. These commands consist of the letter “X” followed by one or two additional letters specifying the command. There will also be one to four arguments indicating the MC3 and H.110 timeslots involved in the command. The timeslot arguments are four hexadecimal digits for the H.110 bus and four hexadecimal digits for the MC3 bus. The first two digits indicate the stream and the last two digits indicate the timeslot within the stream. H.110 streams have 128 timeslots while the MC3 streams have 64 (See section 6.1 and 6.3). In the extended mode, MC3 streams have a range of 00-4Bh and in the redundant mode the range is 00-25h. Note that because of framing signals, streams 25h and 4Bh have only 55 timeslots, or timeslots in the range 00-36h. “Inward” connections are from the MC3 bus to the H.110 bus and “outward” connections are from the H.110 to MC3 bus.

A full-duplex connection between the H.110 bus and the MC3 bus is made using a command of the form **XCooooiiiiyyyyzzzz** where oooo specifies the H.110 transmit timeslot, iiii specifies the H.110 receive timeslot, yyyy specifies the MC3 transmit timeslot and zzzz specifies the MC3 receive timeslot.

Half duplex connections can be made using the “XLI” and “XLO” commands which make connections to and from the H.110 bus respectively. The “XLI” command takes the form **XLloooozzzz** where oooo is the H.110 transmit timeslot and zzzz is the MC3 receive timeslot. The “XLO” command takes the form **XLOyyyyiiii** where yyyy is the MC3

transmit timeslot and *iiii* is the H.110 receive timeslot. An “XLI” and an “XLO” command can be combined to form a full duplex connection.

To disable a connection, the “XDI” and “XDO” commands are used to disable output to the H.110 and MC3 bus respectively. These commands take the form **XDIoooo** and **XDOyyyy** where *oooo* is an H.110 timeslot and *yyyy* is an MC3 timeslot.

As an example, to make a connection from H.110 timeslot 1 stream 0 to the 131st timeslot on the MC3 bus, and from the 196th timeslot on the MC3 bus to H.110 timeslot 35 on stream 1, the command would be **XC0123000102020303** where 0123 is timeslot 35 (23h) on H.110 stream 1, 0001 is timeslot 1 on H.110 stream 0, 0202 is timeslot 131, and 0303 is timeslot 196 on the MC3 bus. Note that timeslot numbers begin with 0. The same connection could be made with the commands **XLI01230303** and **XLO02020001**. To disable the output to the H.110 bus the command would be **XDI0123**, while the output to the MC3 bus would be disabled by the command **XDO0202**.

There may be occasions when it is necessary to output a fixed pattern on the H.110 or MC3 bus. This can be for diagnostic purposes or for outputting a “silence” pattern. This can be done with a command of the form **XPIoooopp** where *oooo* is the H.110 timeslot and *pp* is the pattern value or **XPOyyyypp** where *yyyy* is the MC3 timeslot and *pp* is the hexadecimal value of the byte to be output.

7.3 Ring Errors

A number of factors can cause errors. These are signaled in a message of the form **ESrxx** where *r* is the ring and *xx* is a status byte indicating the error type. The bits in this byte are as follows:

<u>bit</u>	<u>description</u>
0	LOS - loss of signal
1	LOF - loss of frame
2	OOF - out of frame
3	RFE - receive frame error
4	B1ERR - a parity error detected
6	FSA - frame slip alarm
7	TXPPA - transmit phase alignment alarm

Any of these errors may indicate a problem with the fiber connection or clocking.

If the errors on bits 0-3 persist for more than 150 msec. then a ring failure has occurred. This will be signaled by a message of the form **EFr** where r is the ring number. A recovery occurs when none of these bits indicates an error condition for 1.5 seconds. This will be signaled by a message of the form **ERr** where r is the ring.

7.4 Ring Redundancy & Fallback

The dual counter rotating ring architecture of the MC3 bus allows for redundancy and dynamic fallback in case of a failure in a ring. To take advantage of the redundancy, the MC3 bus must be operated in one of the two redundant modes, with either Ring 0 or Ring 1 as the primary ring. When in the redundant mode, signals are transmitted on the primary ring and the corresponding timeslot on the secondary ring is set to bypass. Signals from the primary ring are connected to the H.110 bus while the secondary ring remains in reserve.

To set up an H.110 MC3/Conference Board to operate in the redundant mode, it is necessary to set up both the ring mode with an "SM" command, and the ring failure mode with an "SR" command. For example, if the primary ring is Ring 0, then the commands would be **SM1** and **SR0**. If the primary ring is Ring 1, then the commands would be **SM2** and **SR0**. If the board is a clock master and the clock submode of the board is "3", "4" or "5", then it will be necessary to select the primary ring as the clock source.

The H.110 MC3/Conference Board

A ring failure is signaled by an error message of the form **EFr** where r is the failed ring. When a ring interruption occurs, the boards on either side of the break will indicate errors. If the error is in the primary ring, it will be necessary to change both the ring mode and the ring failure mode. For example, if Ring 0 is the primary ring, and a failure in the primary ring is detected, then the ring mode must be changed so that Ring 1 is the primary ring by issuing an **SM2** command. It will also be necessary to change the failure mode by issuing an **SR1** command. If the board is a clock master and the source is the local network, it must be changed so that the clock source is Ring 1. This is done by issuing an **SC23001** command if the board is clock master A or **SC33001** if clock master B. If the failure is in the secondary ring, only the ring failure mode must be changed. For example, if Ring 1 fails, an **SR2** should be issued.

Note that the “SR” command is used to set any required loopbacks for redundancy. The “SL” command is not used for this purpose and is only used for testing purposes.

A ring recovery is signaled by an **ERr** message where r is the recovered ring. If the recovery is for the ring that had originally been the primary ring, the “SM”, “SR”, and “SC” commands to reestablish the primary ring should be issued. For example, if Ring 0 is restored, the commands would be **SM1**, **SR0**, and **SC23000** or **SC33000**. If the recovery is for the secondary ring, only an **SR0** command should be issued.

Under some circumstances, a ring failure may also require changes to the clock modes of other boards on the affected ring. For a more complete discussion see Appendix B.

7.5 Loopback Modes

The rings can be placed into several loopback modes for diagnostic purposes. This is done by setting one or more of the loopback bits using the Set Loopback command. This command has the form **SLx** where x is the value of the loopback nibble. The bits in this nibble are

<u>bit</u>	<u>description</u>
0	TLBB - Terminal Loopback B
1	FLBB - Facilities Loopback B
2	TLBA - Terminal Loopback A
3	FLBA - Facilities Loopback A

A Facilities Loopback will send data coming in on one ring out the other ring. FLBA will cause data from Ring 0 to be output on Ring 1, and FLBB will cause data from Ring 1 to be output on Ring 0.

A Terminal Loopback will take data to be output on one ring and loop it back as an input on the corresponding timeslot on the other ring. TLBA will take data to be output on Ring 1 and loop it back as incoming data on Ring 0. TLBB will take data to be output on Ring 0 and loop it back as incoming data on Ring 1.

this page intentionally left blank

8.0 CT Bus Switching

This section describes the operation of the Computer Telephony bus switching capabilities of the Infinity Series H.110 MC3 Multi-Chassis Interconnect and Conference Board. Topics include the H.110 bus, MVIP-95 compatible commands, and the operation of the analog port.

8.1 The H.110 Switching Hardware

The H.110 MC3/Conference Board consists of two separate switch blocks. One of these is dedicated to switching between the MC3 bus and the CT bus. The other switch block is used for switching between computer telephony bus and the conferencing facilities. The two switch blocks use different hardware components and can be treated as completely independent entities.

A total of 1024 inputs from and 1024 outputs to the CT bus are available on the board. If conferencing is enabled, 128 of these are used by the conference hardware. Because of this, when conferencing is enabled, only 896 inputs and outputs are available between the CT bus and the MC3 bus. If the analog port is in use, the number of MC3 connections is reduced by one more.

8.2 MVIP-95 Compatibility Commands

Several commands exist for compatibility with the MVIP-95 driver specification. This specification uses the concept of a “terminus” to define an input or output timeslot. The terminus argument consists of three parts, a bus, a stream within the bus, and a timeslot on that stream. In MVIP compatibility messages, a terminus is represented by a five character string. The first character indicates the bus. Valid bus selections are “C” for the

conference inputs and outputs, “H” for the H.110 CT bus, “L” for the local bus connected to the audio port, and “X” for the MC3 bus.

In the MVIP compatibility mode, connections are controlled using the Set Output command **MO**. This command takes the form **MObssttm**, where “bsstt” is the output terminus being controlled, and m is the mode. Valid modes are “D” for disable, “E” for enable, and “P” for pattern output. In the enabled mode, the input terminus follows the mode character, and in the pattern mode, a two digit hexadecimal number representing the value of the byte to be output follows the mode. As an example, the message “MOH0123EX0000” would enable a connection from the MC3 bus timeslot 0, stream 0 to the H.110 timeslot 23h, stream 1.

A query command **QObsstt** is also available to query the state of the output terminus “bsstt”. This command corresponds to the Query_Output command in the MVIP-95 specification. The response takes the form **QObssttm(bsstt)** where “bsstt” is the output terminus, “m” is the mode, and if the mode is enable, the second “bsstt” is the input terminus.

The audio port is timeslot 0 of stream 0 of the “Local” bus. No other timeslots exist on this bus. To access the audio port, it must be enabled using a command of the form **MAm** where m is the mode, either “E” for enabled, or “D” for disabled. To make a connection from the port to the bus, the port must be enabled, and the connection made using the Set Output command “MO”. Gain can be controlled as described in the following section.

In the MVIP compatibility mode, the conference function consists of a single stream of 128 timeslots which correspond to the Conference Control Addresses or CCAs. Input and output connections are made between the H.110 CT bus and the conference bus using the “MO” command. Each conference input/output pair, or CCA is controlled with a command of the form **MKhhccman** where hh is the conference handle, cc is the CCA, m is the mode, either “E” for enable or “D” for disable, and a and n are the attenuation and noise threshold parameters. See section 9.1 for a more detailed description of the operation of the conferencing hardware.

To add a party to a conference, connections need to be made to the conference input and output using the “MO” command, and the CCA controlled using the “MK” command. As an example the commands:

MOC0001EH0123	connection to the input of CCA 1
MOH0555EC0001	connection from the output of CCA 1
MK0201E00	enable CCA 1 for conference 2

The previous commands add a party to the conference with a handle of 02 using CCA 01. The input stream 1 timeslot 23, and the output is stream 5 timeslot 55 on the H.110 bus. To remove the party from the conference the commands would be:

MOC0001D	disable input to CCA 1
MOH0555D	disable output to the H.110 bus
MK0201D	disable CCA 1

When using the MVIP compatibility commands, it is the responsibility of the application to allocate the CCAs.

8.3 The Analog Port

An analog port is provided for use either as a music on hold source or for monitoring timeslots on the H.110 bus. The external connection to this port can be made through either the **J1** or **J1A** connectors. The signal levels at this port are assumed to be at line levels compatible with most electronic equipment. An attenuation command is provided to make adjustments. When enabled, the analog port will use one of the 1024 possible connections between the board and the H.110 bus.

The command to enable the music on hold feature is of the form **AEoooo** where oooo is the H.110 timeslot the port will transmit on. The port may be disabled with a command of the form **AD**.

To use the port to monitor a timeslot, the command is of the form **ARiiii** where iiii is the H.110 timeslot. The monitor can be disabled using the

command **ARX**.

The input or output level can be attenuated using the gain command. This takes the form **AGttr** where tt is the attenuation in the transmit direction and rr is the attenuation in the receive direction. The attenuation can be specified in steps of .1 dB.

Though the port is bi-directional, it is not recommended that it be used for both transmitting to the H.110 bus and receiving from the H.110 bus at the same time because it is a 2-wire circuit and there is no isolation between the input and the output.

9.0 Conferencing

This section describes the conferencing facilities available on the Infinity Series H.110 MC3 Multi-Chassis Interconnect and Conference Board. This description will include an overview of the conferencing hardware, the commands for conferencing, the DTMF capabilities associated with conferencing and examples of how to establish and dissolve a conference.

9.1 The Conferencing Hardware

The conferencing hardware on the H.110 MC3/Conference Board is arranged into two blocks. Each block consists of 21 conferences and 64 inputs and outputs. Conferences can be of any size up to the maximum limit of 64, but the total number of parties for all the conferences within one block can not exceed 64. Conferences can not cross block boundaries.

The two conferencing blocks are connected to the last 4 local streams of the last CT812 H.110 bus switch block. The first two streams are connected to the first block and the third and fourth streams are connected to the second conferencing block. Four DSPs, one for each local stream are connected in line between the CT812 and the conference inputs.

When conferencing is enabled using the “SK” command, 128 H.110 inputs and outputs are removed from the MC3 hardware. Because of this, the total number of MC3 to H.110 connections is reduced from 1024 to 896.

9.1.1 Conference Handles

Each conference is identified with a handle. The value of this handle ranges from 1-21 for the first block and 22-42 for the second conference block. The handle is selected by the application. The handle is used in the conferencing commands to identify which conference the command applies to. Each conference input and output is defined by a Conference Control Address, or CCA. These range from 0-127 with the first 64 CCAs being associated with the first conference block and the second 64 with the second conference block. Conference Control Addresses are associated with fixed timeslots on the local conferencing streams. CCAs 0-31 are associated with the 32 timeslots of the first local stream, CCAs 32-63 with the second local stream, and so on.

On the H.110 MC3/Conference Board, the CCAs are hidden from the user, and they are assigned dynamically.

9.1.2 Command Set

The Conferencing command set consists of commands that begin with the letter “C”. Each of these commands performs all of the switching and conference control for the command function. When using these commands, the on board processor manages the allocation of the CCAs which are hidden from the application. Commands exist for adding or removing a party from a conference, dissolving a conference, monitoring a conference or adding an input to a conference.

9.1.3 Attenuation & Noise Threshold

Each conference input and output can have its attenuation controlled. This can be done individually or globally for all members of a conference. The attenuation is set with an attenuation parameter that is part of various conferencing commands. The following table gives the amount of attenuation the parameter selects:

Value of a	Input Attenuation	Output Attenuation
0	0 dB	0 dB
1	0 dB	3 dB
2	3 dB	0 dB
3	3 dB	3 dB
4	6 dB	0 dB
5	6 dB	3 dB
6	9 dB	0 dB
7	9 dB	3 dB

The amount of attenuation required to maintain the desired level of audio quality depends on a number of factors such as the type and quality of the incoming lines. It also depends on the number of parties being conferenced, with larger conferences requiring more attenuation. Typically, no attenuation is needed for conferences of four or fewer parties.

A noise threshold can also be set for each conference input. When this function is enabled, signals below a threshold will be suppressed. The setting “0” disables the function, while settings of “1” to “3” raise the threshold to progressively higher values. It should be noted that high threshold levels may introduce distortion and so should be used with discretion.

9.1.4 DSP Facilities

The H.110 MC3/Conference Board is equipped with four DSPs which are connected in the conference input streams between the H.110 bus and the conference blocks. The DSPs can be used to detect DTMF tones from the conference inputs. A “clamping” function can be enabled which isolates DTMF tones by temporarily interrupting the input connection to the conferencing hardware when a tone is detected. This can be used to

prevent the other parties of a conference from hearing the DTMF signals. Because a finite amount of time is required to detect the presence of a DTMF signal, a short burst of tone of approximately 20 msec. will get through before the tone is clamped.

An energy detection feature is also available. This feature can be used to determine the “loudest talker” in a conference. If this feature is enabled, the energy of each input to a conference is periodically placed in a table in the dual-ported memory. This table is arranged by H.110 timeslot.

9.2 Controlling Conferences

A party can be added to a conference using the conference add command. This command takes the form **CAhhooooiian** where hh is the conference handle, iiii is the H.110 timeslot of the input, oooo is the H.110 timeslot of the output, and a and n are optional parameters for attenuation and noise threshold. If these parameters are left off, the default values of no attenuation and no noise threshold are used. If the timeslot was involved in another conference at the time the command is issued, that connection will be broken. Each party to a conference must be added using the same conference handle.

A party can be removed from a conference using the disconnect command. This command is of the form **CDoooo** where oooo is the H.110 timeslot. All parties to a conference can be disconnected at once using the unconference command. This command takes the form **CUhh** where hh is the conference handle.

A conference can be monitored, that is, an output from the conference is created for which there is no associated input. This is done using the conference monitor command which is of the form **CMhhoooo**, where hh is the conference handle and oooo is the H.110 output timeslot. The conference monitor function uses up a CCA just as does a full party to a conference, therefore, if more than one party is monitoring a conference, they should use the same timeslot. The monitor path is disabled by using either the “CD” or “CU” commands.

A timeslot can serve as an input to a conference without there being a corresponding output. This is done using the conference input command “CI”. This command takes the form **CIhhiiii** where hh is the conference handle, iiii is the conference input timeslot, and a and n are the attenuation and noise parameters. The same timeslot can serve as an input to multiple conferences. Note, however, that if a “CA” command is issued for that timeslot after it is defined as an input for another conference, the input will be disabled. However, subsequent “CI” commands can be used to reestablish the inputs if desired. A “CD” will remove the timeslot from all conferences. The timeslot can be removed as an input to a conference by using the “CX” command. This command takes the form **CXhhiiii** where hh is the conference handle and iiii is the timeslot. Participation by that timeslot in other conferences will be unaffected. A “CU” command will dissolve all inputs and outputs for a particular conference handle, but will leave inputs to other conferences unaffected.

9.3 Changing the Attenuation and Noise Threshold

Once a conference is established, the attenuation and noise threshold can be changed in one of two ways. To change the parameters for a single member of a conference, the “CA” command can be reissued with the new parameters. It is not necessary to remove the party from the conference first. However, if a party is an input only, it must first be removed from the conference before changing parameters. Otherwise, there will be two occurrences of that party.

The parameters of all members of a conference can also be changed at once using the Set Attenuation command “SA”. This command takes the form **SAhh** where hh is the conference handle and a and n are the attenuation and noise threshold parameters.

9.4 DTMF Detection

The H.110 MC3/Conference Board is equipped with four DSPs for DTMF detection. The DSPs are connected between the H.110 bus and the conference inputs, and there is one detector for each input. This means that DTMF digits can be detected simultaneously on all the parties to all the conferences.

To enable DTMF detection in conferences established using the “C” commands, the detection enable command “CE” is used. This takes the form **CEiiii** where *iiii* is the input timeslot of the conferee. Detected digits are reported in a message of the form **STiiii d** where *iiii* is the timeslot and *d* is the digit detected. Detection is disabled with a command of the form **CEiiiiD**. It is also disabled when a “CD” or “CU” command is issued.

One of the problems that can arise is that if detection is enabled for one party of a conference, a DTMF digit generated by another party to that conference may also be detected. This can pose problems if the intention is to determine which party has generated a DTMF digit, for instance when these digits are being used to control the conference.

To resolve this problem, a feature called “clamping” has been added. With this feature enabled, the input from a party is interrupted for a short period when a DTMF digit is detected. This allows the DSP to determine which party is generating the digit. It also prevents the tone from being passed to the other members of the conference eliminating an annoying blast of sound. Because it takes a short amount of time to determine if a tone is present, the first 20 msec. of tone will pass through.

To enable this feature, an optional argument is added to the “CE” command. The command now takes the form **CEiiii dd** where *dd* is the duration of the interruption interval in 20 msec. increments. For example, **CE00305** would interrupt the signal for 100 msec. The range of the interruption interval is 01-CFh or between 20 and 4140 msec.

9.5 Energy Detection

The DSPs on the H.110 MC3/Conference Board can provide an energy detection function. In this function, the energy of each conference input is averaged over a period of 100 msec. This information is then placed in a table in the dual-ported memory where it can be accessed by an application.

The table begins at an offset of 0 bytes and consists of 4096 (1000h) bytes arranged in order to correspond to H.110 timeslots. The values in these tables will run from 00h to 1Fh with each step corresponding to approximately 3 dB. A flag at an offset of 7934 (1EFEh) from the base address of dual-ported memory is set to 01h every time the tables are updated. The flag should be cleared by the application after it reads the energy tables.

The energy detection feature is enabled by sending an **SDE** command. This will enable energy detection for all conferences. An **SDD** command will disable energy detection.

9.6 2 kHz. Tone Generation and Detection

Signaling System 7 uses a 2 kHz. tone for performing continuity checks to verify the operation of speech circuits. The H.110 MC3/Conferencing Board is capable of generating and detecting this tone. A single generator is provided to play a 2 kHz. tone to an H.110 bus timeslot. From there, it may be routed to multiple MC3 bus timeslots. Up to 128 detectors are available for the detection of the 2 kHz. tones. The DSP resources for 2 kHz. detection are shared with those used for DTMF detection and clamping of conferenced inputs. Conferencing **must** be enabled for the 2 kHz. detection and generation to be available. Note, that at most, 128 detectors, generators and conference parties can be assigned at a time.

Because the DSP facilities are located in the input leg of the conferencing facility, each detector and generator utilize one of the 128 Conference Control Addresses (CCA). The assignment of CCAs is done dynamically.

To minimize conflicts between conferencing and the 2 kHz. detection, the assignment of CCAs for the 2 kHz. detection is done from the highest numbered CCA on down. The 2 kHz. generator, when enabled, uses the highest numbered CCA, 127.

The generator is enabled using a command of the form **CToooo** where oooo is the H.110 bus stream and timeslot that the tone will be output on. The generator should not be enabled if any of the 2 kHz. detectors are enabled as this may result in a possible CCA assignment conflict. If a conflict occurs, an error message of the form **EG01** will be reported. The generator may be disabled with a command of the form **CTooooD** where oooo is the H.110 bus stream and timeslot. In practice, it is best to enable the generator at start up time and leave it connected to the H.110 bus.

To output the tone to an MC3 timeslot, the command takes the form **XLOyyyyiiii** where yyyy is the MC3 stream and timeslot and iiii is the H.110 stream and timeslot of the tone. The tone is disconnected from the MC3 bus using the command **XDOyyyy**. The 2 kHz. tone may be output to multiple MC3 timeslots by issuing multiple commands within the switching limitations of the board. (i.e., a total of 896 connections are allowed in either direction with conferencing enabled.)

To enable tone detection, a one-way path is created from the MC3 bus to the H.110 bus using the command **XLiooooozzzz** and enabling the detector with a command **CLoooo** where oooo is the H.110 stream and timeslot and zzzz is the MC3 stream and timeslot. Detection of the tone is reported with a message of the form **STooooA** where oooo is the H.110 stream and timeslot used by the detector. Detection is disabled with a command of the form **CLooooD** to disable the detector and a command of the form **XDIoooo** to disable the audio path.

9.7 Conferencing Examples

This section will give examples of how to create and dissolve conferences, set up inputs and monitors, and detect DTMF digits.

Conferencing

• 9-9 •

In the first example, three input timeslots, 0110, 0112, and 0114 are conferenced together using conference handle 03 with the outputs at 0000, 0001, and 0002 respectively:

CA030000011000
CA030001011200
CA030002011400

To enable DTMF detection with 80 msec. of clamping:

CE011004
CE011204
CE011404

To add an input to this conference and conference 05 from timeslot 0205:

CI03020500
CI05020500

And to monitor the conference on timeslot 0917

CM030917

Timeslot 0001 and the corresponding input at 0112 could be removed from the conference by:

CD0001

Or the conference could be dissolved with the command:

CU03

this page intentionally left blank

10.0 Diagnostics & Error Messages

10.1 Diagnostic Commands

Several diagnostic commands are available:

- VA** Used to request the checksum of the firmware in the alternate segment of the board. This is returned in a message of the form `VAxxxx` where `xxxx` is the checksum of the firmware in the alternate segment of ROM.
- VC** Used to request the version of the firmware on the board. The version information is returned in a message of the form `VCxxxxyyyyHO3`, where `xxxx` is the checksum of the firmware stored in the main segment of ROM, `yyyy` is a four-digit version number and `HO3` indicates the board type. This message takes the same form with all Infinity Series boards, and can be used to determine the configuration of the system.
- VD** Used to request the version of the DSP software. The version is returned in a message of the form `VDxxxx`, where `xxxx` is the version number. All DSP's on the board use the same software version.
- QHcrrrr** Queries the contents of the CT812 chip `c`, for register `rrrr`. The contents are returned as the 24 bit value `dddddd` values in the message `QHcrrrrdddddd`. This command refers to the details of the internal switching circuitry, and is ordinarily of limited use to the application.
- QL** This message queries the geographical shelf and slot

The H.110 MC3/Conference Board

information. Each slot and chassis in a *CompactPCI* has a unique address allowing the identification of the physical location of any board. The information is returned in a message of the form *QLaabb* where *aa* is hexadecimal value of the shelf address bits and *bb* is the value of the slot address bits.

QMRx0zzz This command queries the MC3 90840 interface chip *x* for the contents of the receive path connection memory and transmit path data memory for the internal timeslot *zzz*. The results are returned in a message of the form *QMRx0zzzzhhlldd* where *hh* and *ll* are the high and low byte contents of the receive path connection memory and *dd* is the contents of the transmit path data memory. This command refers to the details of the internal switching circuitry, and is ordinarily of limited use to the application.

QMTxyyyy This command queries the MC3 90840 interface chip *x* for the contents of the transmit path connection memory and receive path data memory for MC3 timeslot *yyyy*. The results are returned in a message of the form *QMTxyyyyhhlldd* where *hh* and *ll* are the high and low byte contents of the transmit path connection memory and *dd* is the contents of the receive path data memory. This command refers to the details of the internal switching circuitry, and is ordinarily of limited use to the application, though it may be used to look for a pattern byte on the MC3 bus.

10.2 Error Messages

The board will detect a number of error conditions and respond with appropriate error messages. These messages are:

ECxx A clock error bit event *xx* has occurred. The value *xx* is a hexadecimal number where the bits are (a bit value of 1 is an error)

<u>bit</u>	<u>description</u>
0	CT bus clock A
1	CT bus clock B
2	SCbus clocks
3	MVIP bus clocks
4	Master PLL error
5	Frame Boundary

EFr A failure of ring *r* has been detected.

EG01 A conflict has occurred when attempting to enable the 2 kHz. tone generator.

EKh_{hh}xx An error has occurred while attempting to make a conference using handle *hh*. If *xx* equals 01, a handle outside the range of 01-2Ah was used. If *xx* equals 02, all conference facilities available for that handle are in use.

EPxxxx An attempt at switching has failed because all connections between the MC3 and H.110 bus are used. The command was for stream and timeslot *xxxx*.

ERr Restoration of ring *r* has been detected.

ESrxx A change in the ring status error bits has been detected for ring r. The status bits are reported in xx. The bit values are

<u>bit</u>	<u>description</u>
0	LOS - loss of signal
1	LOF - loss of frame
2	OOF - out of frame
3	RFE - receive frame error
4	B1ERR - bit error
6	FSA - frame slip alarm
7	TXPPA - transmit phase alignment alarm

U[cmd] If the board does not recognize a command message, or if it does not have the appropriate number of arguments, the same message will be returned by the board preceded by a U to indicate an undefined message.

10.3 QM Queries

The QMT and QMR commands can be used to query the contents of the connection and data memories of the chips used to interface to the MC3 rings. Four MT90840 chips control the switching between the MC3 rings and an internal bus, with two chips used for each ring. This internal bus has 1024 timeslots and is used to connect the MT90840 chips with the CT812 chips used to interface to the H.110 bus. These internal timeslots are assigned dynamically with the first connection established using the first timeslot, the second connection the next timeslot and so on. When a connection is disabled, the internal timeslot is released for use.

The QMT command can be used to read the connection memory and data associated with the MC3 bus. The command takes the form QMTxyyyy where x specifies the chip and yyyy specify the MC3 stream and timeslot. Each “stream” has 64 timeslots and the range runs from 0000 to 2536. The chips 0 and 1 are associated with Ring 0 and chips 2 and 3 are associated with Ring 1.

The response takes the form QMTxyyyyhhlldd where xyyyy are as in the query, hh is the high byte of the connection memory, ll the low byte, and dd the contents of the data memory. The top three bits of the high byte are control bits. The value of the high byte will be C0h or 00h when output is disabled, 8xh when enabled, and A0h when outputting a pattern. The low byte and bit 0 of the high byte contain the internal bus timeslot address. When outputting a pattern, the low byte will be the value of the pattern. The data byte will contain the value on the MC3 bus timeslot.

The QMR command can be used to read the connection memory and data associated with the internal bus. The command takes the form QMRx0zzz where x specifies the chip and 0zzz specifies the internal stream and timeslot. Each “stream” has 64 timeslots and the range runs from 0000 to 073F. Chips 0 and 1 are associated with Ring 0 and chips 2 and 3 are associated with Ring 1.

The response takes the form QMRx0zzzyhhlldd where x0zzz are as in the query, hh is the high byte of the connection memory, ll the low byte, and dd the contents of the data memory. The top four bits of the high byte are control bits. The value of the high byte will be 0xh when output is disabled and 3xh when enabled. The remaining bits of the connection memory are the MC3 bus timeslot address. This command reads the actual contents of the MT90840. Because several timeslots are used for framing purposes, the address bits do not contain the MC3 stream and timeslot value as used in commands. For timeslots 0000-0407, the address bits are incremented by 1 over the command timeslot and for timeslots 0408-2536 the address bits are incremented by 2. For example, if the address bits read 011h, this indicates stream 00, timeslot 10, and if the address bits read 142, this means stream 5, timeslot 0. The data bits are the value present on the local timeslot.

this page intentionally left blank

Appendix A: Environmental Specifications

The Infinity Series H.110 MC3 Multi-Chassis Interconnect and Conference Board meets the following environmental specifications:

TEMPERATURE EXTREMES:

Operating: 0EC (+32EF) to +50EC (+122EF).

Storage: -40EC (-40EF) to +70EC (+158EF).

AMBIENT HUMIDITY:

All boards will withstand ambient relative humidity from 0% to 95% non-condensing in both operating and storage conditions.

MECHANICAL:

All Infinity Series H.110 boards conform to PCI-SIG mechanical specifications for 6U *Compact*PCI cards.

MTBF:

50,000 hours.

ELECTRICAL REQUIREMENTS:

+5 volts $\pm 5\%$ @ 4.0 amps maximum.

-12 volts @ 15 mA. maximum

+3.3 volts, - volts, and +12 volts are not required.

this page intentionally left blank

Appendix B: Notes on H.110 MC3 Redundancy

B.1 Introduction

MC3 is designed to provide for fault tolerance in systems by allowing users to implement redundant operation. This document describes the procedures that may be used to implement the fault tolerant design and how to recover from a ring failure.

B.2 Term Definition

First, some terms need to be defined. In some failure modes, it is necessary to know the arrangement of chassis in a ring. For purposes of this document, the terms upstream and downstream will be used when discussing the topology of the ring. Let's say there are three chassis in a system, labeled Chassis A, Chassis B, and Chassis C. Chassis A transmits to Chassis B on ring 0, Chassis B transmits to Chassis C on ring 0, and Chassis C transmits to Chassis A on ring 0. Since the rings counter-rotate, Chassis A therefore transmits to Chassis C on ring 1, Chassis C transmits to B on ring 1, and B to A on ring 1. Given this topology, we can consider the locations of Chassis A and C with respect to B. By definition, Chassis A is upstream of Chassis B on ring 0 and downstream of Chassis B on ring 1 (because Chassis B is receiving data from Chassis A on ring 0 and transmitting to Chassis A on ring 1). Likewise, Chassis C is downstream of Chassis B on ring 0 and upstream of Chassis B on ring 1.

This terminology works well when describing adjacent chassis. However, it is sometimes necessary to consider all chassis in the system. Since a ring topology is used, it could be argued that a given chassis is downstream of all other chassis. When a ring break occurs, it will be necessary to consider what happens to the clocking for the system. In order to do this rationally, the chassis that is providing the master clock for the system will be considered the origin of the ring.

If we consider the three chassis example above, with chassis A providing the master clock for the system, and assume a break occurs between chassis B and C, we can consider chassis A and B to be upstream of the break on ring 0. Chassis C and A are upstream of the break on ring 1.

B.3 Setting up Redundant Operation

Before setting up redundant operation, the clock configuration for the system must be established and a primary and secondary ring must be defined. The clock configuration requires that one chassis provide the master clock for the system. Generally, this clock is derived from a digital network trunk, although the MC3 board is capable of providing a free-running clock. All other chassis will be set up to derive their clock from the designated primary ring.

Once the clocks have been configured for all chassis, redundant mode is enabled by issuing an "SMx" command, where "x" is '1' if ring 0 is the primary ring or '2' if ring 1 is the primary ring. At this point, redundant operation is enabled. Note that in commands dealing with connections, all commands must use streams on ring 0. It is not valid to use a stream on ring 1. Thus, the command "XC0000000126002601" is not valid. Instead, "XC0000000100000001" would establish a connection.

B.4 Responding to a Ring Break

The main actions necessary to respond to a ring break are to loop back data on each side of the break so that all chassis can still access all data and to reconfigure clock modes as appropriate. The required actions for a given chassis will depend on its location in the ring with respect to the break. The following paragraphs describe the specifics.

1. A chassis detects a failure in the secondary ring. This chassis simply needs to issue an "SRx" command to appropriately reroute the data. If the primary ring was 0, the chassis will issue an "SR2". If the primary ring was 1, the chassis will issue an "SR1".

2. A chassis detects a failure in the primary ring. This chassis must implement several procedures. First, it will need to issue an "SMx" command to make the secondary ring primary for as long as the break exists. If ring 0 was primary, an "SM2" command will be issued. If ring 1 was primary, an "SM1" will be issued.

Next, an "SRx" command will be issued to appropriately reroute the data. If ring 0 was primary, an "SR1" will be issued. If ring 1 was primary, an "SR2" will be issued.

Third, the clocks for the system will need to be reconfigured. This is where the application must know the physical ring topology. Basically, all chassis from the failed chassis downstream to the clock master on the primary ring must switch clock modes to derive their clock from the secondary ring.

3. A chassis detects failures in both rings. This would generally occur in a maintenance situation and will require recovery procedures that combine the two failures. Usually, the chassis next to it in one direction would get a failure in one ring and the chassis next to it in the other direction would get a failure in the other ring. A brief example is given below.

If one of the rings is restored, the appropriate "SRx" command should be issued for the remaining failed ring. Thus, if ring 1 is restored and ring 0 is still failed (with ring 0 the primary ring), an SR1 should be issued. When the second ring is restored, an "SR0" should be issued.

4. Multiple failures are detected in a single ring. Generally, these can be dealt with as the failures are received as though no other failures occurred. However, when recovering from a multiple failure condition, the appropriate clock modes must be retained. For example, if ring 0 is primary and two chassis detect a ring 0 failure, both will issue "SR1" commands and "SM2" commands. Both will also reconfigure clocks on all ring 0 downstream chassis to derive their clocks from ring 1. However, if one of the rings recovers, all chassis downstream of the other failed chassis will still need to continue deriving their clocks from ring 1. Thus, if the chassis that recovers first is downstream of the other, the clock mode should not

be changed. If the chassis that recovers first is upstream of the other, only those chassis from the recovered one to the failed one will have their clock reconfigured.

B.5 Examples of Some Specific Cases

A. Assume the three chassis configuration described in the Term Definition section. Chassis A is providing the master clock, chassis B and C are deriving their clock from ring 0. Ring 0 has been designated as primary by issuing "SM1" commands to all three chassis.

Chassis A detects a failure on ring 0. It will issue an "SM2" and an "SR1" command. Since it is the master clock, it does not need to change clock modes. Furthermore, since chassis B and C are downstream on ring 0, their clock modes do not need to change.

Typically, if chassis A detects a failure on ring 0, chassis B will detect a failure on ring 1. It will therefore issue an "SR2" command.

B. The system is setup as described in Example A. Chassis B detects a failure on ring 0. It will issue an "SM2" command and an "SR1" command. Neither chassis B nor chassis C can derive their clock from ring 0 any more because both are downstream of the break on ring 0. Thus, both Chassis B and Chassis C will change their clock modes so that they are deriving their clock from ring 1.

C. The system is setup as described in Example A. Chassis C detects a failure on ring 0. It will issue an "SM2" command and an "SR1" command. Since chassis B is upstream of the break on ring 0, it does not need to change its clock mode. However, chassis C will need to change clock modes so that it will begin deriving its clock from ring 1.

D. The system is setup as described in Example A. Chassis B detects failures on both rings. Generally, this means that chassis A will detect a ring failure on ring 1 and chassis C will detect a failure on ring 0. Assuming this to be the case, chassis B is simply no longer in the loop and cannot recover.

If, for some reason, chassis A and C do not get ring failures, chassis B should notify chassis A that there was a failure on ring 1 (as though chassis A did get a ring failure on ring 1). Chassis A will then issue an "SR2" command. Likewise, chassis B should notify chassis C that there was a failure on ring 0 (as though Chassis C did get a ring failure on ring 0). Chassis C will then issue an "SM2" command and an "SR1" command, as well as changing clock modes so that it is deriving its clock from ring 1.

B.6 Recovering from a Ring Break

When a ring is restored after a break, recovery is basically reversing what was done when the break occurred. If a chassis detects a recovery on the secondary ring, it will issue an "SR0" command. If a chassis detects recovery on the primary ring, it will issue an "SR0" command, an "SMx" command, where "x" is '1' if ring 0 is primary and '2' if ring 1 is primary, and will set all clocks back to their original configuration. (Clock reconfiguration may be complicated if multiple chassis detected a failure on the primary ring. This situation was described in failure mode 4 above.)

If errors had occurred on both rings, the application must deal with the recovery of one ring by acting as though the remaining ring had just failed. Thus, the application will not issue an "SR0" command if only one ring recovers. Instead, it will issue an "SR" command appropriate for the ring that is still failed. Clock modes will have to be dealt with similarly.

B.7 Combining Redundant and Extended Operation Modes

In some cases, customers may desire to run with the total MC3 bandwidth available. However, if there is a break, they would like to recover as gracefully as possible, although some connections may be lost. This can be done using the XDS MC3 board if some basic guidelines are followed.

First, the application should select a primary ring. This ring should be used for all connections until its bandwidth is used up. The secondary ring may then be used for overflow connections.

If a ring failure is detected, the application should issue "SMx" commands to all chassis, where "x" is '1' if ring 0 was primary, or '2' if ring 1 was primary. This will automatically disconnect all connections on both rings, and will enter the redundant mode. The application will then need to reestablish all connections, as appropriate, given the remaining bandwidth. After the connections have been restored, the system is treated as a standard redundant configuration.

The application may return to extended mode operation at any time by issuing "SM0" and "SR0" commands. ("SR0" commands are only needed if a chassis was in mode "SR1" or "SR2".) When it does so, all connections will again be terminated by the board and will need to be re-established via software control.

B.8 Determining System Topology

In order to implement appropriate fallback techniques, the location of each chassis in the ring must be known. This could be handled manually by having the user enter configuration data. However, it is also possible to use patterns on the MC3 bus to determine where chassis are with respect to each other.

The manual method requires keeping track of where each fiber optic cable is connected. On a given board, there are two duplex fiber connectors. With the board mounted vertically in a cPCI chassis, the bottom position of the bottom connector is the Ring 0 input. The top position of this connector is the Ring 1 output. Similarly, the bottom position in the top connector is the Ring 1 input and the top position of the top connector is the Ring 0 output. When cabling multiple chassis, the ring 0 output of one chassis goes to the Ring 0 input of the next chassis. The Ring 1 output of this second chassis goes back to the Ring 1 input of the first chassis. This configuration is continued around the ring until all chassis are in the ring.

The application software can also determine the ring topology by applying patterns appropriately to the MC3 bus. The procedure is essentially the same whether extended mode or redundant mode is being used. However, in redundant mode, the procedure will determine the ordering of chassis on

the primary ring, whereas in extended mode, the ordering of chassis can be determined on either ring based on the commands that are issued.

To enable chassis identification, every chassis should output a unique ID code in the range 00h - 0FFh on a timeslot on one of the rings. All chassis should use the same timeslot and the same ring. This may be accomplished with the "XPO" command. For example, if timeslot 0 on ring 0 is to have the ID code, the application would issue "XPO0000pp", where 'pp' is the pattern to output.

Next, each chassis must query the selected ID timeslot to determine which chassis is transmitting to it. This can be done with the "QMT" command. For the given example, the command issued would be "QMT00000". The board would respond with "QMT00000xxxxpp", where the 'x' arguments may be ignored and 'pp' is the value of the pattern on ring 0 timeslot 0. This pattern is the ID of the board immediately upstream of the chassis on ring 0. It also indicates the downstream chassis on ring 1. Generally, it is probably best to configure all patterns in all chassis first. Then, after a nominal delay to ensure that the pattern is available in all chassis, the "QMT" commands may be issued.

If ring 1 is used for the pattern, the "QMT" command will have the format "QMT2sstt", where 'ss' will be the stream number minus 26h and 'tt' is the timeslot used.

Once the IDs have been determined, the patterns may be disconnected. For the example, the command "XDO0000" could be used in all chassis.

The topology derived from the ID codes may be saved and used to determine how to configure clock modes when a ring failure occurs.

B.9 Maximum Timeslot Utilization

When the multi-chassis system is used for simple full-duplex connections, each party in the connection can use the same MC3 timeslot for maximum capacity. Thus, if two parties are involved in a full duplex conversation and one is transmitting on ring 0 timeslot 0, the other can also transmit on ring

0 timeslot 0. Each would therefore listen to ring 0 timeslot 0. This mode of operation provides for a total of 4846 full-duplex conversations in extended mode and 2423 full-duplex conversations in redundant mode.

In broadcast configurations, where multiple devices listen to the same transmitter, the transmitting device must use a unique timeslot. No other devices can transmit on this timeslot, but as many devices as necessary (depending on the switching capacity of the system), can listen to this timeslot.